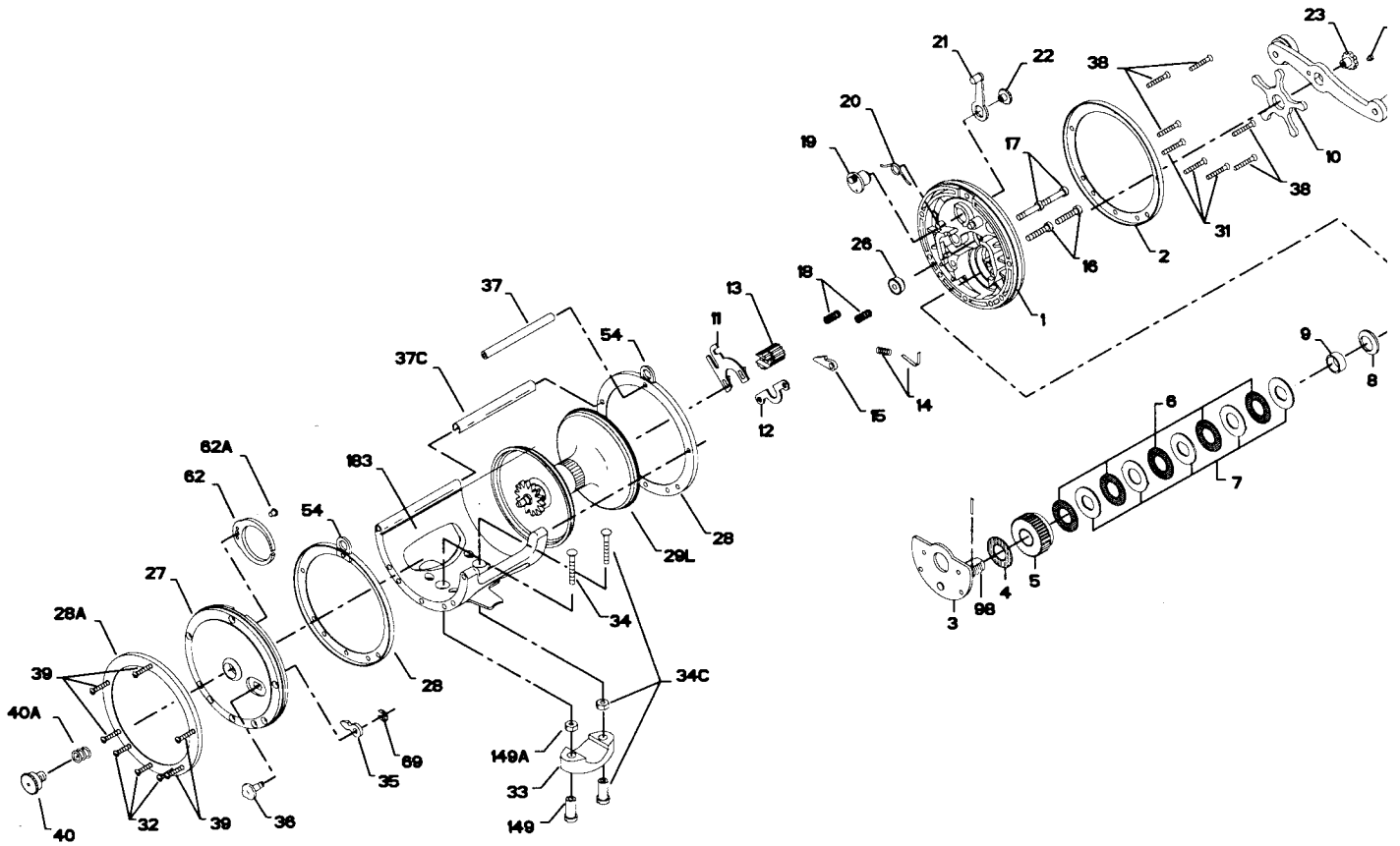




PARTS AND PRICE LIST FOR MODEL 113



| Key No. | Part No. | Description | Price | Key No. | Part No. | Description | Price |
|---------|----------|--------------------------------|--------|----------|----------|-----------------------------|--------|
| 1 | 1-113 | Right Side Plate | \$5.65 | 27 | 27-113 | Left Side Plate | \$5.05 |
| 2 | 2-113-O | Outer Right Side Ring | 4.55 | 28 | 2-113-I | Inner Left Side Ring | 4.55 |
| 3 | 3-113 | Bridge w/Sleeve | 6.00 | 28A | 2-113-O | Outer Left Side Ring | 4.55 |
| 4 | 4-60 | Fiber Washer | .40 | 29L | 29L-113 | Spool | 40.00 |
| 5 | 5-60 | Main Gear | 3.60 | 31 | 39-9 | R.S. Stand Screw (3 req.) | .40 |
| 6 | 6-113 | Drag Washer (5 req.) | .95 | 32 | 39-9 | L.S. Stand Screw (3 req.) | .40 |
| 7 | 7C-60 | Metal Drag Washer Set (5 req.) | 2.70 | 33 | 33-113 | Rod Clamp | 4.00 |
| 8 | 8-60 | Tension Spring (2 req.) | .50 | *33R-200 | 33R-200 | Ringed Rod Clamp (Optional) | 6.25 |
| 9 | 9-66 | Spacing Sleeve | 1.10 | 34 | 34-45 | Clamp Screw (2 req.) | .90 |
| 10 | 10-66 | Star Drag Wheel | 3.10 | 34C | 34C-45 | Rod Clamp Screw w/Nuts | 2.25 |
| 11 | 11-113 | Eccentric Jack | 1.60 | 35 | 35-60 | Click Tongue | .90 |
| 12 | 12-113 | Pinion Yoke | 1.25 | 36 | 36-113 | Click Button | 1.10 |
| 13 | 13-113 | Pinion | 3.10 | 37 | 37-113 | Frame Post | 1.75 |
| 14 | 14-99 | Dog Spring | .40 | 37C | 37C-113H | Frame Cover Post | .50 |
| 15 | 15-99 | Dog | .90 | 38 | 39-9 | R.S. Screw (5 req.) | .40 |
| 16 | 16-60CH | Lower Bridge Screw (2 req.) | .40 | 39 | 39-9 | L.S. Screw (5 req.) | .40 |
| 17 | 17-60CH | Upper Bridge Screw (2 req.) | .40 | 40 | 40-60 | Left Side Bearing | 2.35 |
| 18 | 18-60 | Clutch Spring | .40 | 41 | 41-60 | Left Side Bearing Spring | .80 |
| 19 | 19-113 | Eccentric | 2.25 | 54 | 54-113 | Harness Lug (2 req.) | 1.70 |
| 20 | 20-155 | Eccentric Spring | .40 | 62 | 62M-309 | Click Spring | 1.60 |
| 21 | 21-66 | Eccentric Lever | 1.50 | 62A | 31-2.5FR | Click Spring Screw | .55 |
| 22 | 22-99 | Eccentric Screw | 1.50 | 69 | 69B-600 | Retaining Ring | .90 |
| 23 | 23-60 | Handle Screw | 1.70 | 98 | 98-60 | Gear Sleeve | 4.00 |
| 23A | 110-60 | Handle Lock Screw | .40 | 149 | 149-45 | Rod Clamp Nut | .90 |
| 24 | 24-66 | Handle | 6.60 | 149A | 149-200 | Hex Nut (2 req.) | .45 |
| 26 | 26-60 | R.S. Bearing | 1.80 | 183 | 183-113 | Frame | 34.00 |